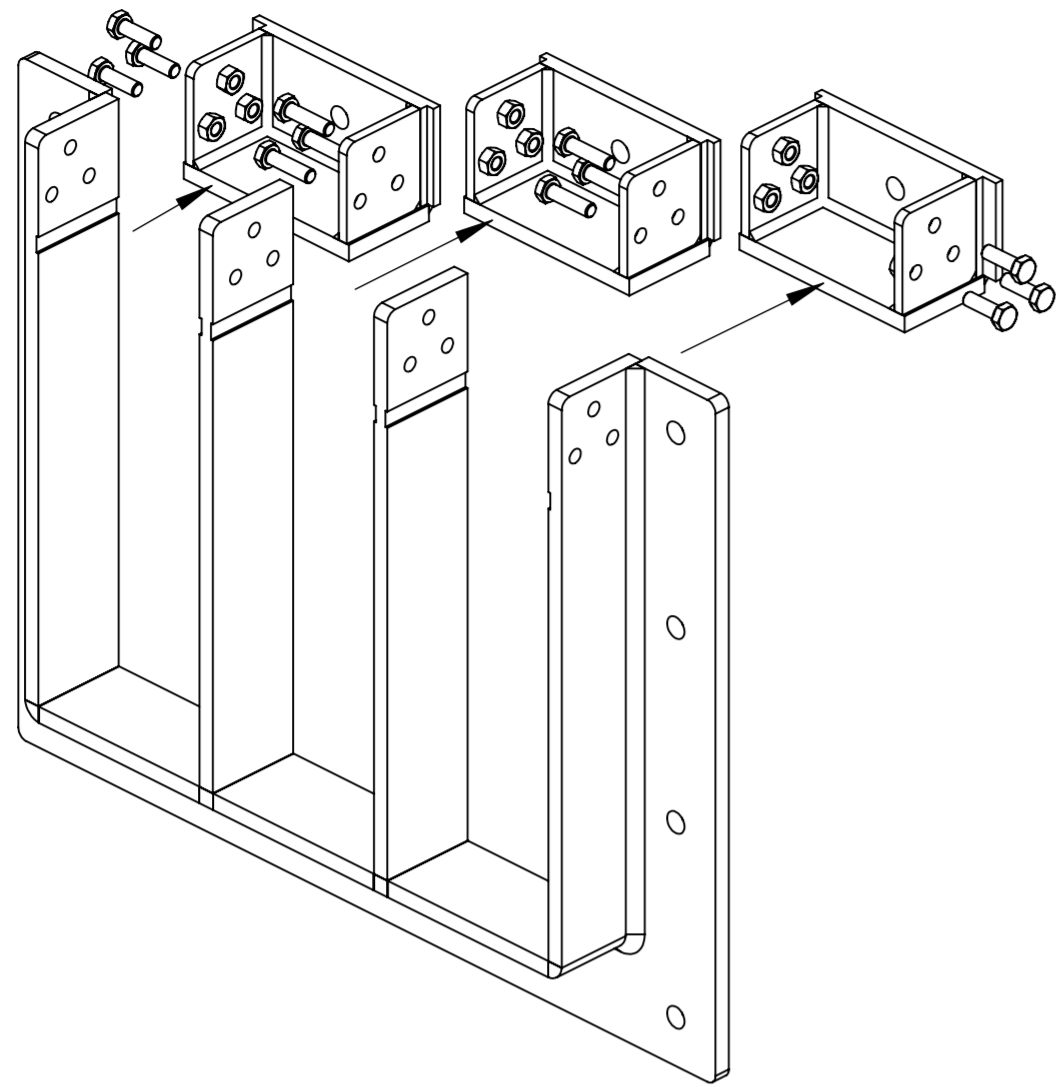
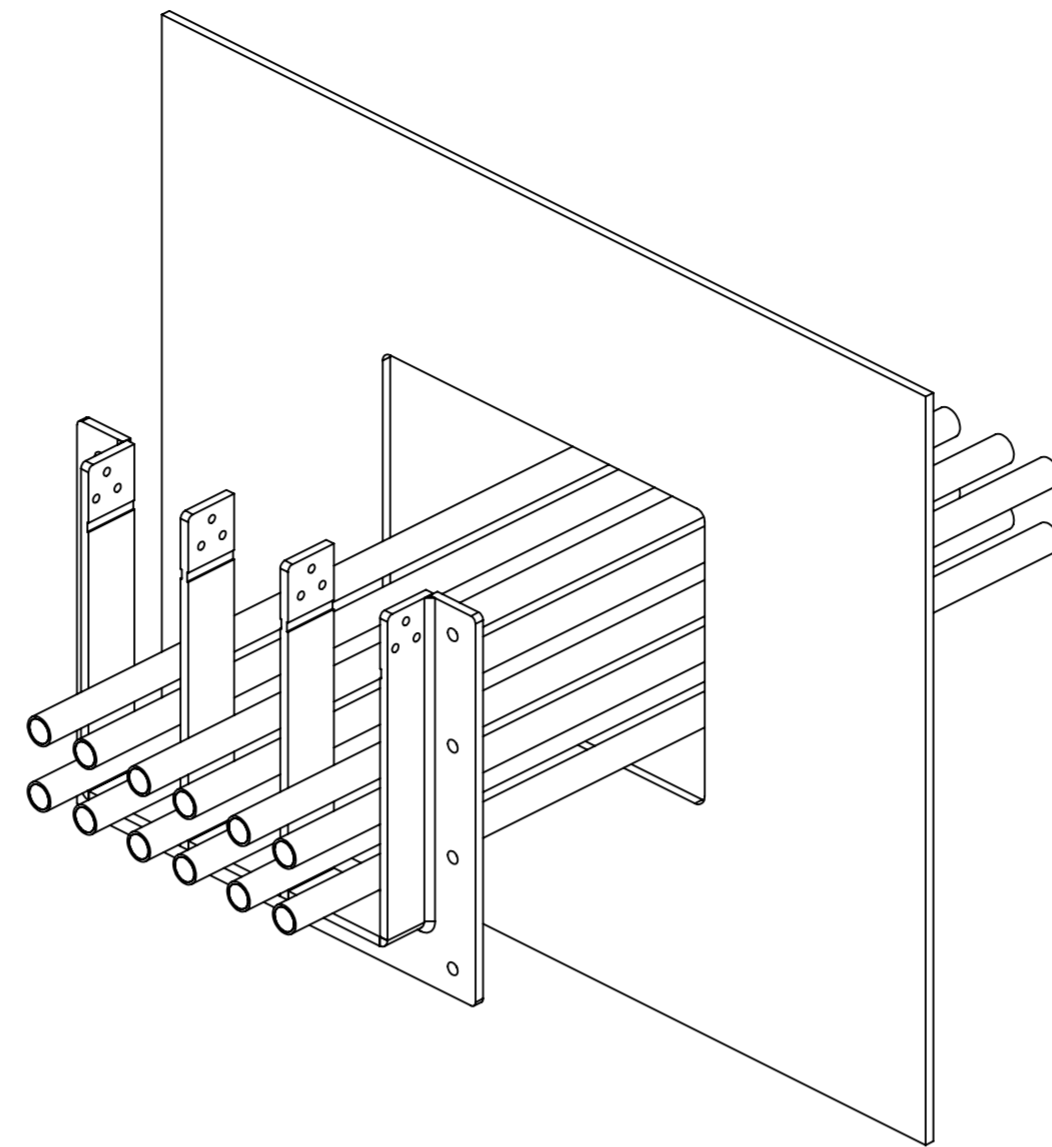


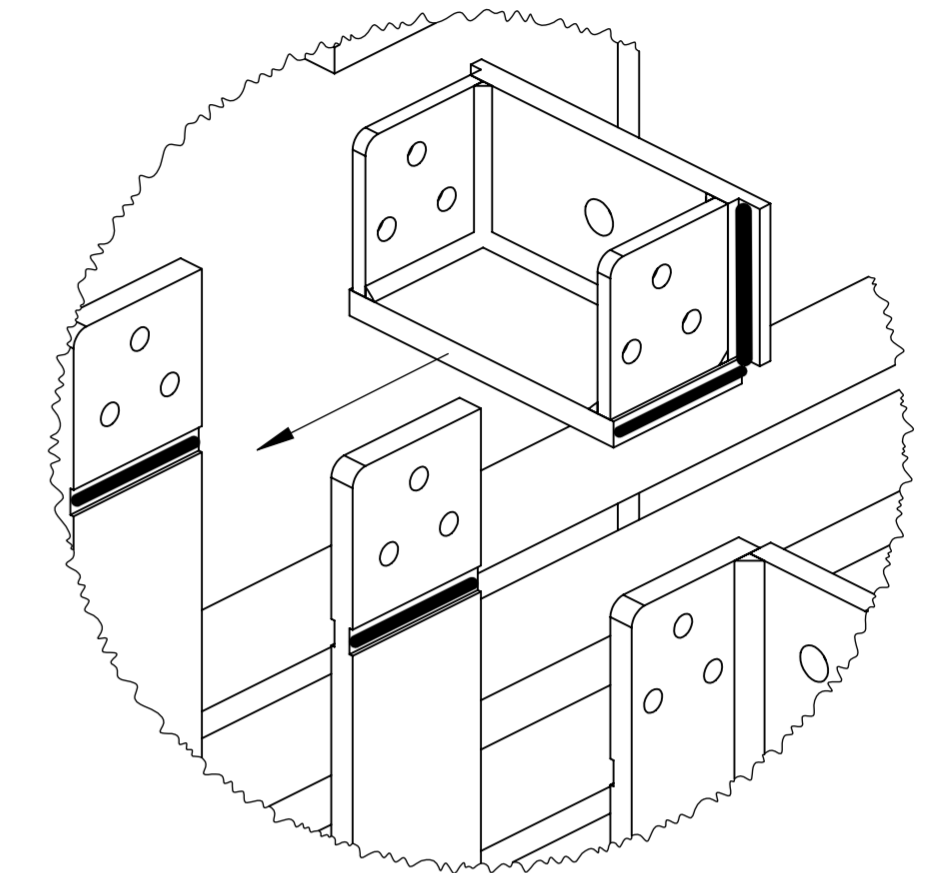
THIS DOCUMENT MUST NOT BE COPIED WITHOUT OUR WRITTEN PERMISSION, AND THE CONTENTS THEREOF MUST NOT BE IMPARTED TO A THIRD PARTY WITHOUT OUR WRITTEN PERMISSION. THIS DOCUMENT IS NOT TO BE USED FOR ANY UNAPPROVED PURPOSE. CONTRAVENTION WILL BE PROSECUTED.



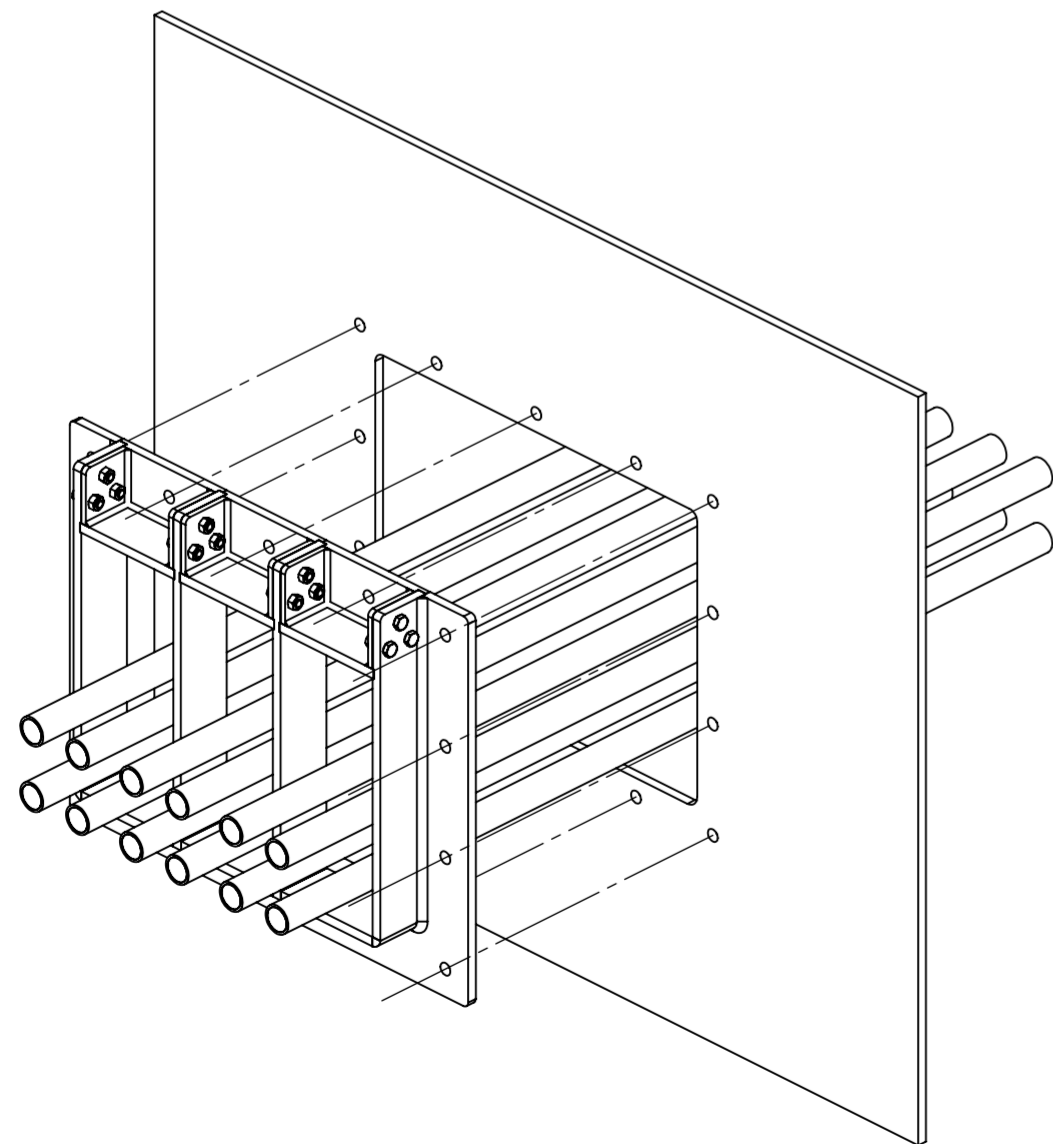
1. Unscrew the M8 bolts and dismantle the removable frame parts, if necessary, use a plastic hammer.



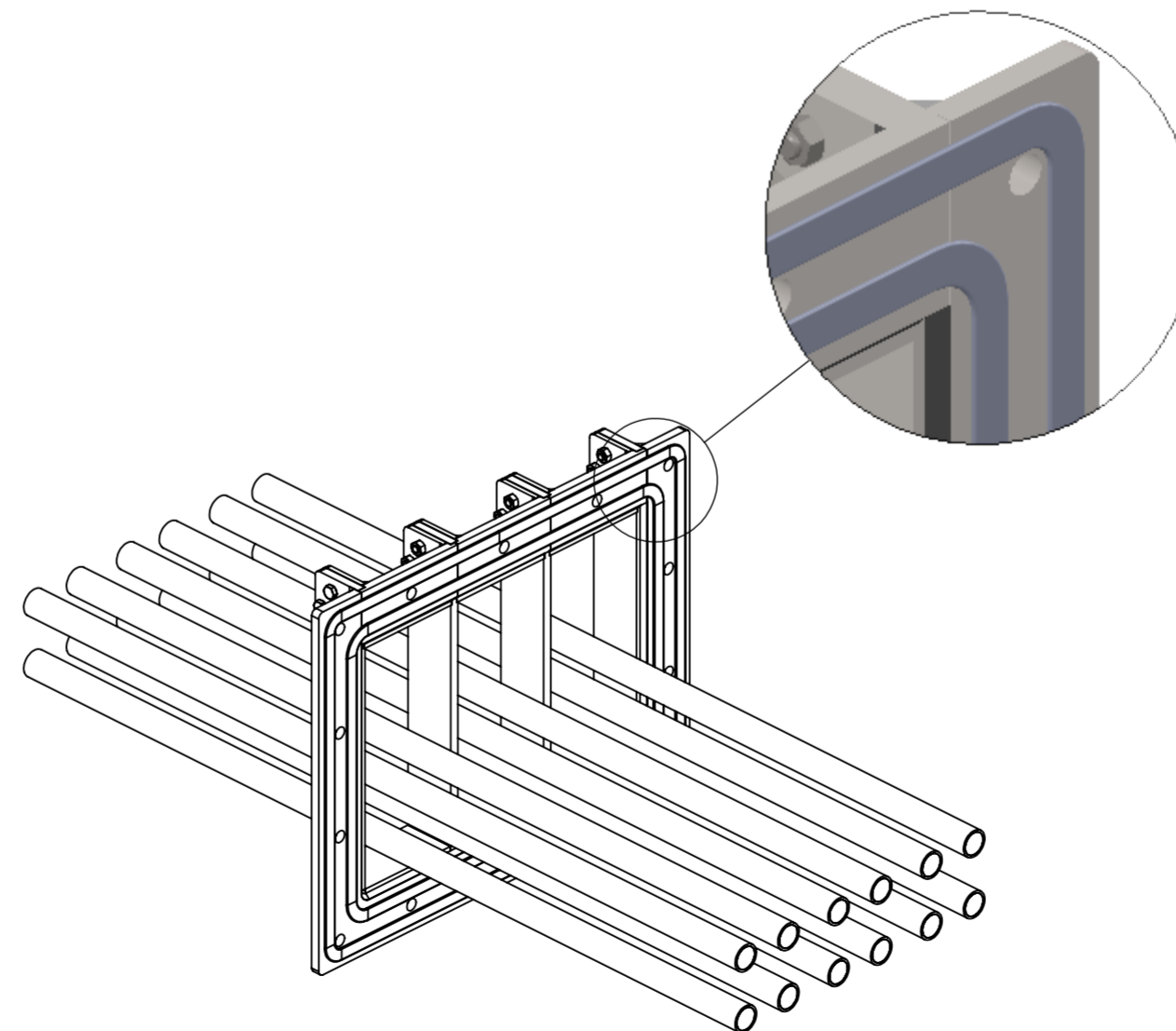
2. Protect cables from sealant and mechanical damage. Fit the frame around existing cables.



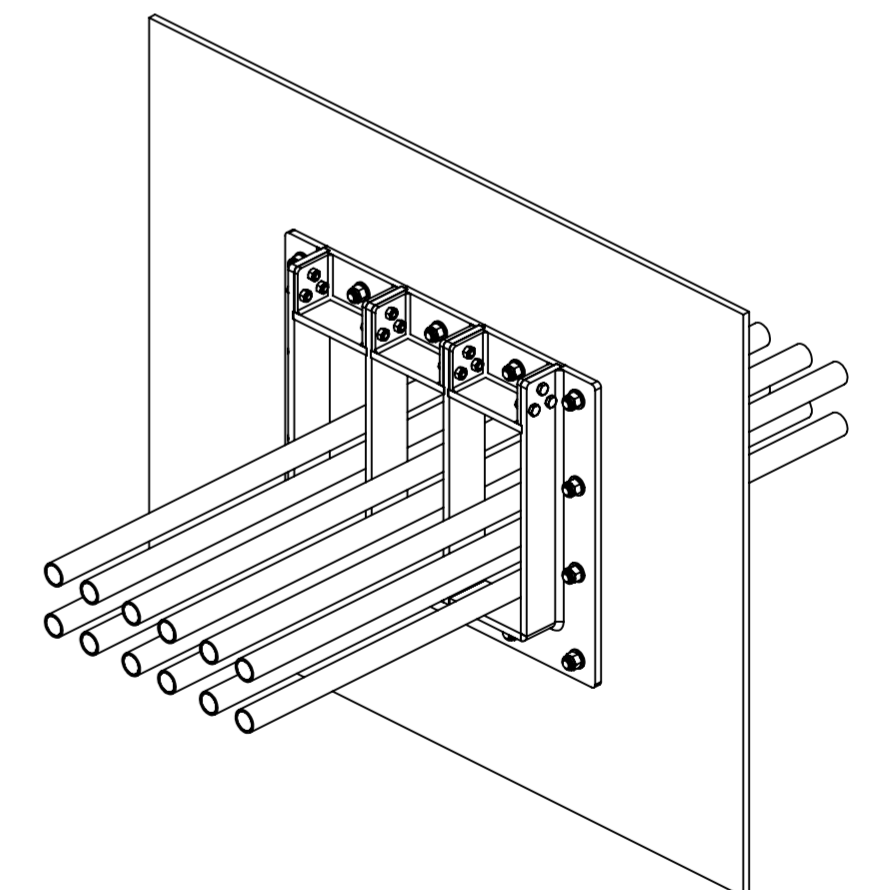
3. Apply sealant to marked areas and reinstall the removable parts to the frame.



4. Position the frame to the bulkhead/deck, mark and drill the hole pattern to match the frame.



5. Apply two strings of sealant to the frame.



6. Install the frame to the bulkhead/deck with M12 bolts, tighten to 75 Nm.

REVISIONS			
REV.	DESCRIPTION	DATE	SIGNATURE
A		2019-09-09	AK

Ritad Drawn	Kontr. Check	Granskad Reviewed	Godkänd Approved	Tolerans där ej annat anges Tolerance unless otherwise not stated.	Smsl. nr. Assembly drawing no.	Ersätter Replaces	E
AK	AK	JF	BJ	Ytjämnhet där ej annat anges. Surface finish otherwise not stated.	Material	Ersatt av Replaced of	Vikt Weight
190909	190912	190912	190912			Alla mått och uppgifter avser färdig produkt om ej annat anges. All measures and other information refer to finished products unless otherwise not stated.	
RGSFBO INSTALLATION DRAWING						Kund ordernr. Customer order no.	Rev.
MCT BRATTBERG						Ritn. nr. Draw. no.	A
						1190496	